

Genie®

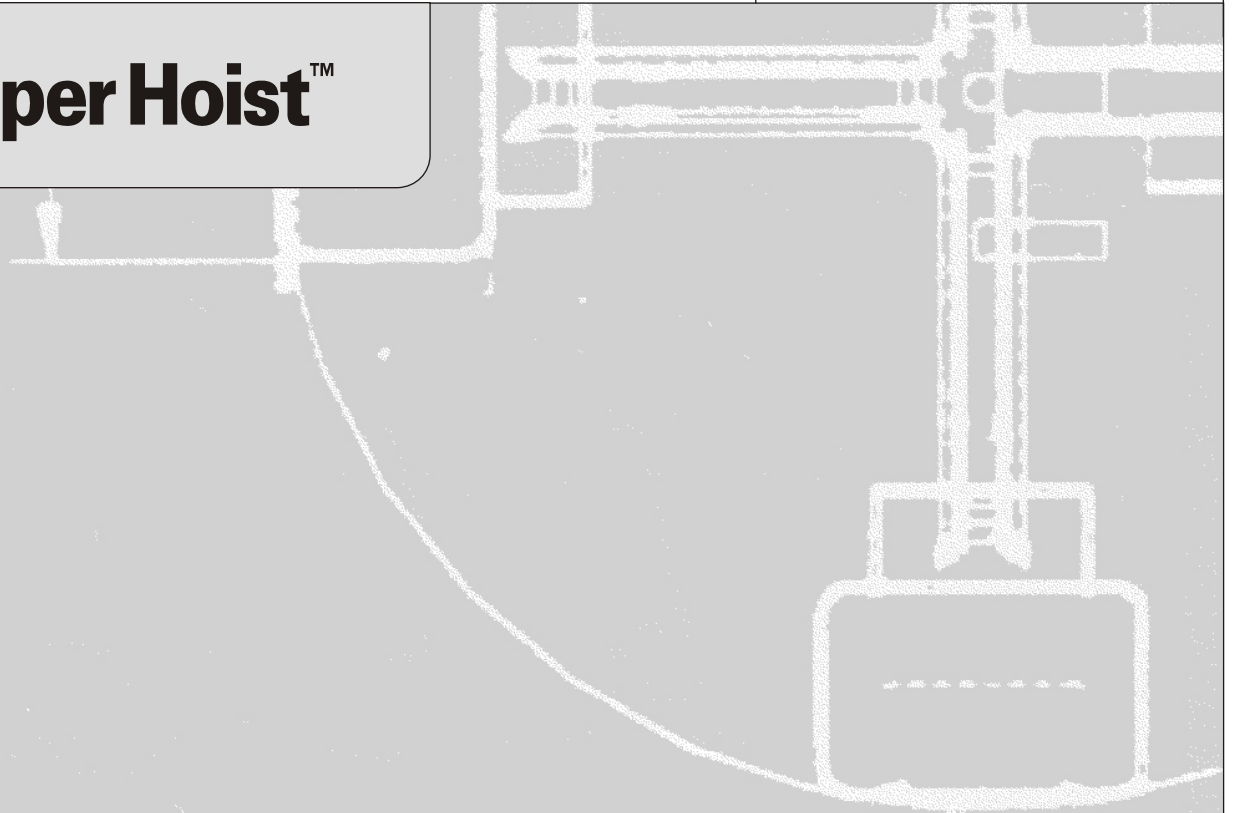


Operator's Manual

with Maintenance Schedule

Fourth Edition
Second Printing
Part No. 82297

Super Hoist™



Important

Read, understand and obey these safety rules and operating instructions before operating this machine. Only trained and authorized personnel shall be permitted to operate this machine. If you have any questions, call Genie Industries.

Contents

	Page
Safety Rules	1
Pre-operation Inspection	4
Function Tests	6
Workplace Inspection	8
Operating Instructions	9
Maintenance Schedule	11
Decals	12
Specifications	13


Contact us:

Internet: <http://www.genielift.com>
e-mail: techpub@genieind.com

Copyright © 1993 by Genie Industries

Fourth Edition: Second Printing, December 2003

"Genie" is a registered trademark of Genie Industries in the USA and many other countries.

 Printed on recycled paper

Printed in U.S.A.

Safety Rules



Warning

Failure to obey the instructions and safety rules in this manual may result in death or serious injury.

Do Not Operate Unless:

- You learn and practice the principles of safe machine operation contained in this operator's manual.

1 Avoid hazardous situations.

Know and understand the safety rules before going on to the next section.

2 Always perform a pre-operation inspection.

3 Always perform function tests prior to use.

4 Inspect the workplace.

5 Only use the machine as it was intended.

- You read, understand and obey the manufacturer's instructions and safety rules—safety and operator's manuals and machine decals.
- You read, understand and obey employer's safety rules and worksite regulations.
- You read, understand and obey all applicable governmental regulations.
- You are properly trained to safely operate the machine.

SAFETY RULES

Tip-over Hazards

Do not use this machine to lift people. This machine is intended for lifting material only.

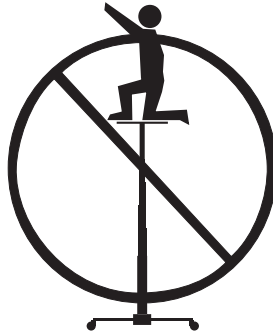
Do not stand on the platform.

Do not raise the platform unless the machine is on a firm, level surface.

Do not raise the platform unless all four legs are locked into the down position and each caster brake has been locked.

Do not raise the platform unless the load is centered and secured with rope or straps.

Do not move the machine while the platform is raised.



GH 3.8: Do not exceed rated load capacity of 136 kg / 300 lbs.

GH 5.6: Do not exceed rated load capacity of 113 kg / 250 lbs.

Do not place ladders or scaffolds against any part of this machine.

Do not use this machine on a moving or mobile surface or vehicle.

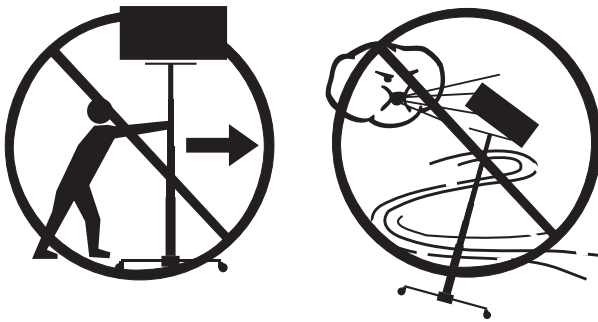
Immediately lower the platform if side deflection or bowing occurs.

Electrocution Hazard

This machine is not electrically insulated and will not provide protection from contact with or proximity to electrical current.

Do not operate the machine within 10 feet / 3 m of any overhead electrical current.

Keep away from the machine if it contacts energized power lines or becomes electrically charged.



Do not raise the platform in strong or gusty winds. Increasing the load surface area will decrease machine stability in windy conditions.

SAFETY RULES

Collision Hazards

Do not lower the platform unless the area below is clear of personnel and obstructions.

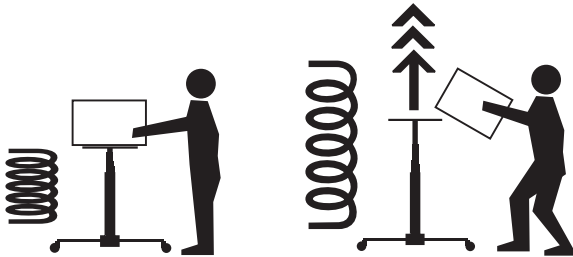
Do not raise the platform unless the load is centered and secured with rope or straps.

Do not stand under or allow personnel under the machine when the load is raised.

Inspect the workplace to avoid overhead obstructions or other possible hazards.

Do not use or raise the platform unless it has been securely fastened to the mounting plug.

Do not add or remove the load while the platform is raised. The platform will move if the load is added or removed while raising or lowering.



Do not unplug the hose and hand control with a load on the platform. Be aware of the position of the hose and hand control and protect it from puncture, crushing and severing.

Damaged Machine Hazard

Do not use a damaged or malfunctioning machine.

Improper Use Hazard

Do not leave the machine unattended. Use of this machine by unauthorized personnel could result in death or serious injury.

Pre-Operation Inspection



Do Not Operate Unless:

- You learn and practice the principles of safe machine operation contained in this operator's manual.
 - 1 Avoid hazardous situations.
 - 2 Always perform a pre-operation inspection.**

Know and understand the pre-operation inspection before going on to the next section.

 - 3 Always perform function tests prior to use.
 - 4 Inspect the workplace.
 - 5 Only use the machine as it was intended.

Fundamentals

The pre-operation inspection is a visual inspection performed by the operator prior to each work shift. This inspection is designed to discover if anything is apparently wrong with a machine before the operator tests it.

Refer to the list on the next page and check each of the items.

If damage or any unauthorized variation from factory delivered condition is discovered, the machine must be tagged and removed from service.

Repairs to the machine may only be made by a qualified service technician, according to the manufacturer's specifications. After repairs are completed, the operator must perform a pre-operation inspection again before going on to the function tests.

PRE-OPERATION INSPECTION

Pre-operation Inspection

- Be sure that the operator's manual is complete, legible and available for reference.
- Be sure that all decals are legible and in place. See Decals section.

Check the following components or areas for damage, improperly installed or missing parts and unauthorized modifications:

Visually inspect all machine components.

- Platform and T-nut
- CO₂ tank, CO₂ tank bracket and pressure regulator
- Hose and hand control
- Cylinder assembly
- Base, legs, leg locks, leg lock springs and casters

Function Tests



Do Not Operate Unless:

- You learn and practice the principles of safe machine operation contained in this operator's manual.

- 1 Avoid hazardous situations.
- 2 Always perform a pre-operation inspection.

3 Always perform function tests prior to use.

Know and understand the function tests before going on to the next section.

- 4 Inspect the workplace.
- 5 Only use the machine as it was intended.

Fundamentals

The function tests are designed to discover any malfunctions before the machine is put into service. The operator must follow the step-by-step instructions to test all machine functions.

A malfunctioning machine must never be used. If malfunctions are discovered, the machine must be tagged and removed from service. Repairs to the machine may only be made by a qualified service technician, according to the manufacturer's specifications.

After repairs are completed, the operator must perform a pre-operation inspection and function tests again before putting the machine into service.

Function Tests

If any of the results listed under the following steps are not observed or any other malfunction is discovered, the machine must be tagged and removed from service.

Setup

- 1 Select a firm, level area free of obstructions.
- 2 Stand the machine up on its base. Release the leg locks one at a time and lower each leg to the down position.
- 3 Firmly grasp the cylinder assembly and lift it enough for each leg to lock into the down position.
- ⦿ **Result:** All four leg locks should click into the locked position.
- 4 Position the platform over the mounting plug and fasten it securely with the T-nut.
- 5 Set the CO₂ tank bracket next to the CO₂ tank. Wrap the straps around the tank and attach the tank tightly to the bracket. Set the CO₂ tank bracket with the tank on any one of the hoist legs.

Note: Leave the tank on the bracket until it is necessary to change tanks.

FUNCTION TESTS

- 6 Spin the pressure regulator connecting nut onto the CO₂ tank valve stem and hand tighten. It is not necessary to use a wrench.

⚠ WARNING Tip-over hazard. The pressure regulator operating pressure is preset for the maximum load capacity of the machine. Modifying or using any other pressure regulator or compressor in excess of 600 kPa / 90 psi service could result in death or serious injury. Use only Genie approved replacement parts.

- 7 Connect the hose and hand control by inserting the hose plug end into the coupling on the side of the pressure regulator. Connect the hand control hose to the valve at the base of the cylinder assembly.
- 8 Open the CO₂ tank valve slowly by turning the handle counterclockwise.

⚠ CAUTION Component damage hazard. If the CO₂ tank valve is opened quickly, the pressure regulator diaphragm could be damaged.

Platform Raise and Lower

- 9 Lock all four caster brakes.
- 10 Raise the platform by pressing the up button on the hand control.
 - ⦿ Result: Each tube should extend individually and smoothly. They should not stick.
- 11 Lower the platform by pressing the down button.
 - ⦿ Result: The platform should descend at a smooth, controlled rate.
- 12 Raise the platform again and then lower it by opening the manual dump valve on top of the hand control.
 - ⦿ Result: The platform should descend at a smooth, controlled rate, but more quickly.

Note: Raising and lowering the platform twice, without a load, lubricates the columns.

Workplace Inspection



Do Not Operate Unless:

- You learn and practice the principles of safe machine operation contained in this operator's manual.
 - 1 Avoid hazardous situations.
 - 2 Always perform a pre-operation inspection.
 - 3 Always perform function tests prior to use.
 - 4 Inspect the workplace.**

Know and understand the workplace inspection before going on to the next section.
 - 5 Only use the machine as it was intended.

Workplace Inspection

Be aware of and avoid the following hazardous situations:

- drop-offs or holes
- bumps, floor obstructions or debris
- sloped surfaces
- unstable or slippery surfaces
- overhead obstructions and high voltage conductors
- hazardous locations
- inadequate surface support to withstand all load forces imposed by the machine
- wind and weather conditions
- the presence of unauthorized personnel
- other possible unsafe conditions

Fundamentals

The workplace inspection helps the operator determine if the workplace is suitable for safe machine operation. It should be performed by the operator prior to moving the machine to the workplace.

It is the operator's responsibility to read and remember the workplace hazards, then watch for and avoid them while moving, setting up and operating the machine.

Operating Instructions



Do Not Operate Unless:

- You learn and practice the principles of safe machine operation contained in this operator's manual.
 - 1 Avoid hazardous situations.
 - 2 Always perform a pre-operation inspection.
 - 3 Always perform function tests prior to use.
 - 4 Inspect the workplace.
- 5 Only use the machine as it was intended.**

Fundamentals

The Operating Instructions section provides instructions for each aspect of machine operation. It is the operator's responsibility to follow all the safety rules and instructions in the operator's manual.

Using the machine for anything other than lifting material is unsafe.

If more than one operator is expected to use a machine at different times in the same work shift, each operator is expected to follow all safety rules and instructions in the operator's manual. That means every new operator should perform a pre-operation inspection, function tests and a workplace inspection before using the machine.

Operating Instructions

This machine is intended for use as a material lift only.

When new, the machine may be stiff due to tight seals and packings. The machine will function smoother after use. The machine is heavily lubricated during manufacture to assure long lasting and smooth performance. Occasionally, excess oil may leak out of the quick disconnect plug at the base of the cylinder assembly.

NOTICE Take precautionary care to avoid lubricant spills on finished floors.

Setup

Follow the instructions listed in the Function Tests section.

Platform Raise and Lower

- 1 Lock all four caster brakes.
- 2 Raise the platform by pressing the up button on the hand control.
- 3 Lower the platform by pressing the down button.

OPERATING INSTRUCTIONS

Manual Lowering

- 1 Open the manual dump valve on top of the hand control.

Storage Instructions

- 1 Completely lower the platform. Close the CO₂ tank valve by turning the handle clockwise. Remove the platform and CO₂ tank. Disconnect the hose and hand control and coil it on the clips under the platform.
- 2 Support the cylinder assembly with one hand. With the other hand, release the nearest leg lock. Raise the leg and lock it in the storage position. Repeat this procedure for the other three legs.
- 3 Select a safe storage location that is weather protected and away from traffic. Preferably, store the machine standing up on its base to preserve smooth operation and prolong the life of the seals.

Maintenance Schedule

Maintenance Schedule

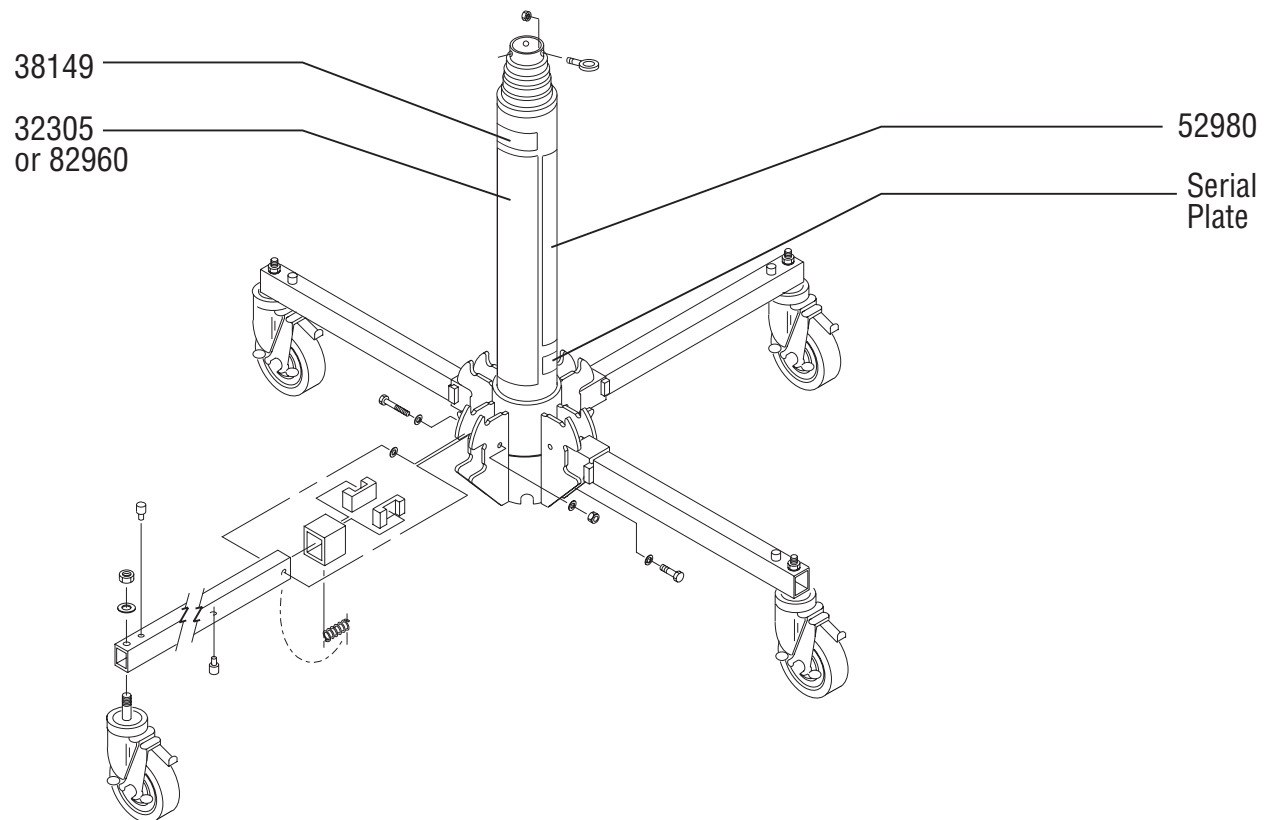
Daily	Inspect and, if necessary, tighten the following components: fittings, hoses, fasteners.
	Inspect the leg locks to be sure that they move freely and the springs function properly through their entire range of motion.
	Inspect the casters and the caster brakes.
Monthly	Visually inspect the felt wipers. Remove debris and clean as necessary.

Decals

Decal Inspection

Use the pictures on this page to verify that all decals are legible and in place. Below is a numerical list with quantities and descriptions.

Part No.	Description	Quantity
32305	Warning - Machine Safety	1
38149	Label - Patents	1
52980	Cosmetic - Genie Super Hoist	1
82960	Warning - Machine Safety	1



Specifications

Genie Super Hoist 3.8

Height	41 in	1.04 m
Platform length	19 in	48 cm
Platform width	24 in	61 cm
Base width, corner to corner	53 in	1.35 m
Load capacity	300 lbs	136 kg
Lifting height	12 ft 5 ⁵ / ₈ in	3.8 m
Dimensions for storage/transport	14 x 14 x 39 ¹ / ₂ in 36 cm x 36 cm x 1 m	
Weight	64 lbs	29 kg
Recommended psi	85 psi	5.86 bar

Continuous improvement of our products is a Genie policy. Product specifications are subject to change without notice or obligation.

Genie Super Hoist 5.6

Height	54 in	1.37 m
Platform length	19 in	48 cm
Platform width	24 in	61 cm
Base width, corner to corner	53 in	1.35 m
Load capacity	250 lbs	113 kg
Lifting height	18 ft 4 ¹ / ₂ in	5.6 m
Dimensions for storage/transport	14 x 14 x 39 ¹ / ₂ in 36 cm x 36 cm x 1 m	
Weight	69 lbs	31 kg
Recommended psi	85 psi	5.86 bar

Genie Scandinavia
Phone +46 31 3409612
Fax +46 31 3409613

Genie France
Phone +33 (0)2 37 26 09 99
Fax +33 (0)2 37 26 09 98

Genie Iberica
Phone +34 93 579 5042
Fax +34 93 579 5059

Genie Germany
Phone +49 (0)4202 88520
Fax +49 (0)4202 8852-20

Genie U.K.
Phone +44 (0)1476 584333
Fax +44 (0)1476 584334

Genie Mexico City
Phone +52 55 5666 5242
Fax +52 55 5666 3241

Genie North America
Phone 425.881.1800
Toll Free USA and Canada
800.536.1800
Fax 425.883.3475

Genie Australia Pty Ltd.
Phone +61 7 3375 1660
Fax +61 7 3375 1002

Genie China
Phone +86 21 53852570
Fax +86 21 53852569

Genie Malaysia
Phone +65 98 480 775
Fax +65 67 533 544

Genie Japan
Phone +81 3 3453 6082
Fax +81 3 3453 6083

Genie Korea
Phone +82 25 587 267
Fax +82 25 583 910

Genie Brasil
Phone +55 11 41 665 755
Fax +55 11 41 665 754

Genie Holland
Phone +31 183 581 102
Fax +31 183 581 566

Distributed By: