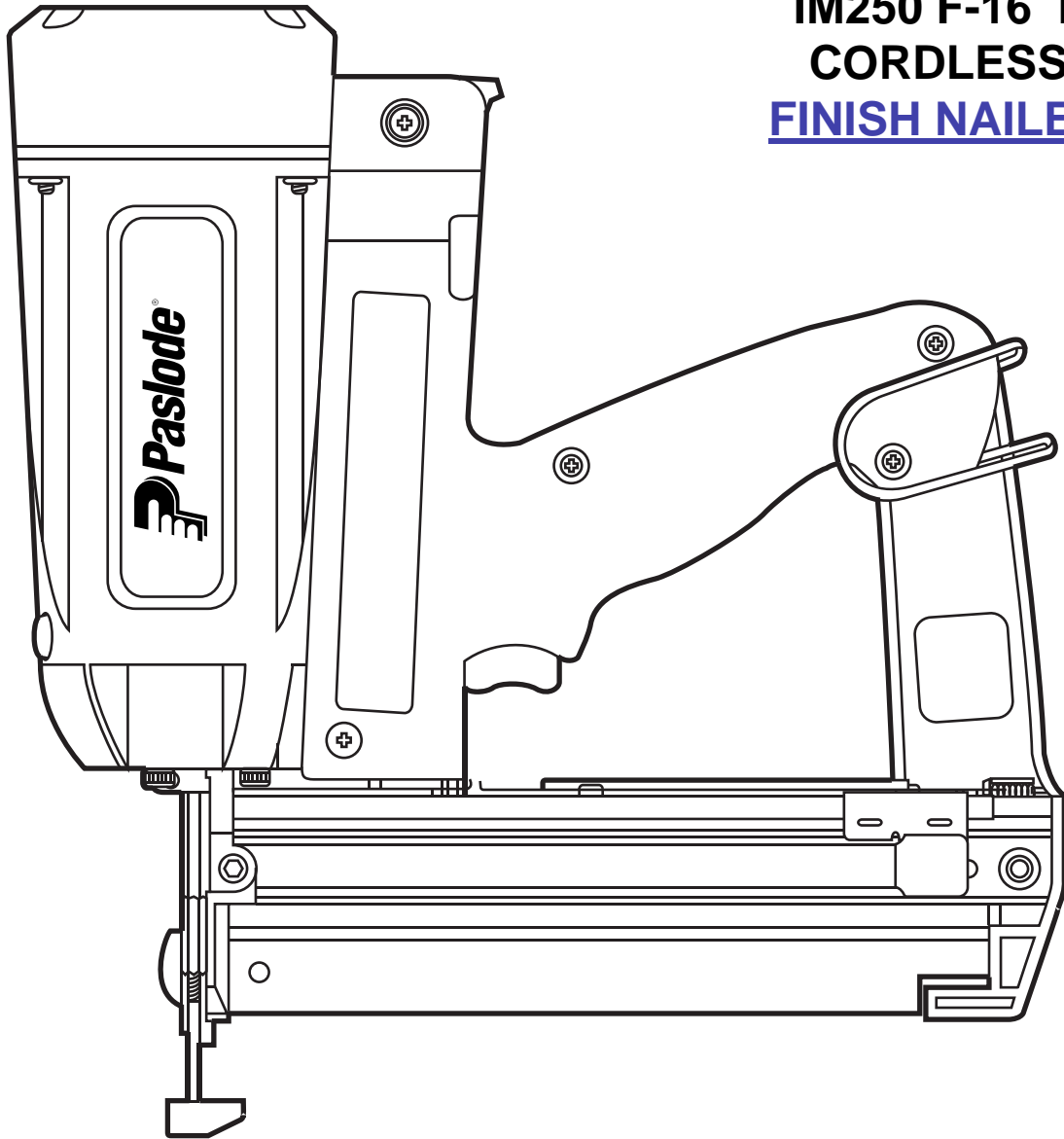




Model: IM250 II  
Part No. 900400  
Cordless 16 Gauge Finish Nailer

**IM250 F-16 II**  
**CORDLESS**  
**FINISH NAILER**



**IMPORTANT!**  
**DO NOT DESTROY**

It is the customer's responsibility to have all operators and service personnel read and understand this manual.

**OPERATING MANUAL**

# Introduction

---

## *Paslode Cordless Finish Nailer Operating Manual*

This manual is intended to acquaint you with the Paslode Cordless Finish nailer. Unlike other power fastening tools, the Cordless Finish nailer is powered by an internal combustion linear motor. In simpler terms, your Cordless Finish nailer is powered by a motor similar to the one that powers an automobile. The Cordless Finish nailer ignites a fuel and air mixture to produce the energy to drive the motor, which in turn drives the fastener. As you will see, the Cordless Finish nailer is totally self-contained. It carries its own fuel supply and battery, along with a supply of fasteners.

For ease of use, this manual is divided into sections (see Contents). Each section of the manual is written with you, the tool operator, in mind. We have left out all of the technical terms so that you can readily understand how to get the maximum performance from your Cordless Finish nailer, and how to avoid damaging the tool or injuring yourself. But, to accomplish this, we need you to do two things:

- 1. READ THE MANUAL FROM COVER TO COVER BEFORE USING THE TOOL.**
- 2. FOLLOW ALL INSTRUCTIONS IN THE MANUAL.**

The Cordless Finish nailer should be handled like other power fastening tools that you use. Like most tools, when used improperly it could result in injury. If you are going to allow others to use the Cordless Finish nailer, it is your responsibility to make sure that they also read and comply with the instructions in this manual before attempting to operate the tool.

# An Overview of the Paslode Cordless Finish Nailer

## Description

The Paslode Cordless Finish nailer is a self-contained, fully portable nailer that uses liquid hydrocarbon fuel to power a unique linear drive internal combustion motor.

In order for you to fully understand the information contained in this manual, you need a basic understanding of the Paslode Cordless Finish nailer. As you can see in the illustration below, the Paslode Cordless Finish nailer is made up of three separable assemblies: handle, motor and magazine.

As you examine the Paslode Cordless Finish nailer, become familiar with the three major assemblies and the various components located in each of them.

The **Handle Assembly** contains the fuel cell, the battery indicator light, and the trigger.

The **Motor Assembly** contains the cover and filter, the motor housing, the nose, and the work contacting element.

The **Rail Assembly** contains the components to load and control the specific fastener for the Cordless Finish nailer.

## Specifications

**Dimensions:** Weight 5 lbs 1oz.  
Height 12-1/2 nches  
Length 11-3/4 inches

**Cycle Rate:** Intermittent Operation – 2 to 3 nails per second  
Continuous Operation – 500 nails per hour

**NOTE:** Exceeding these rates could cause tool to overheat, resulting in loss of performance or damage to tool components.

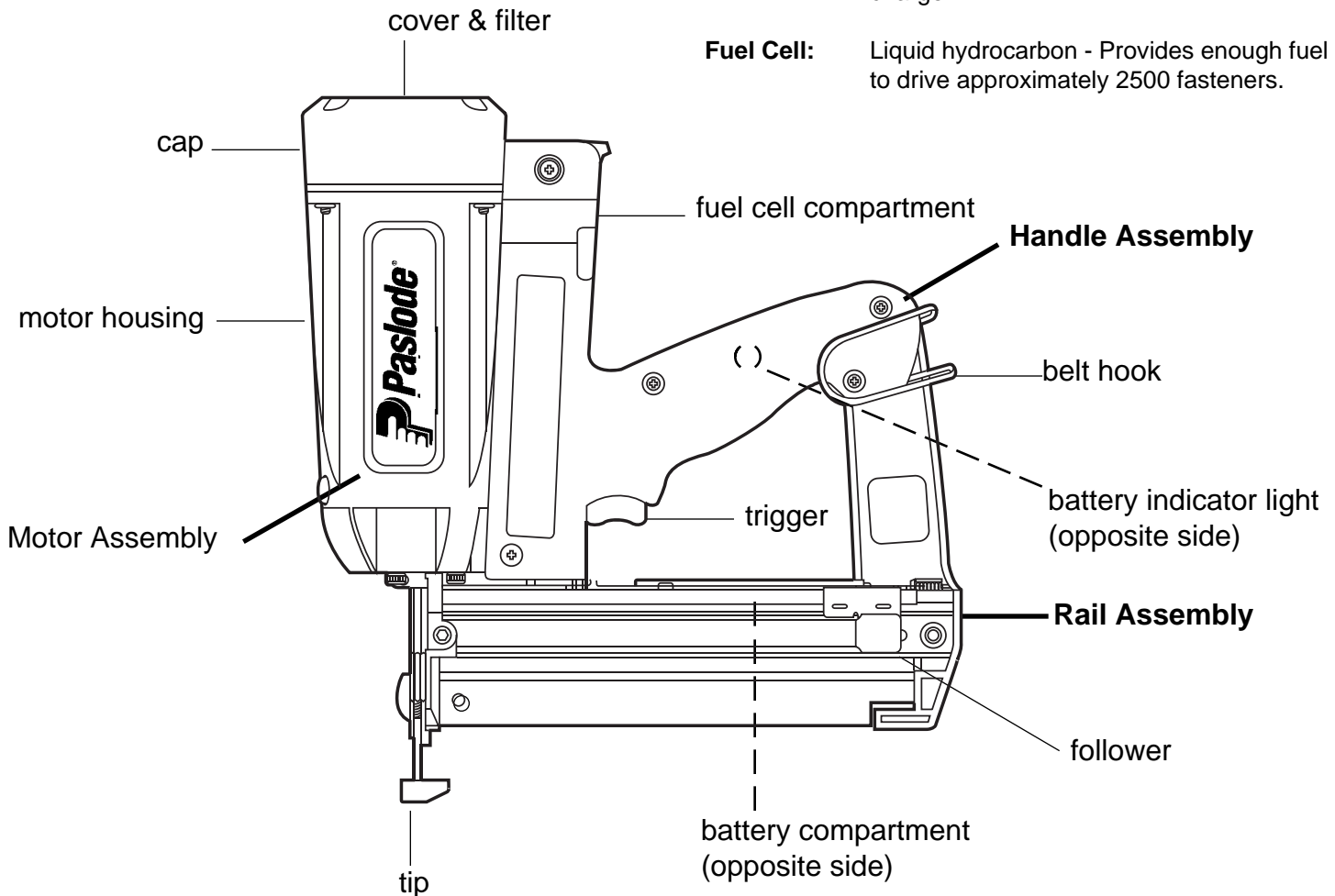
By using the Cordless Finish nailer at its recommended cycle rate, you will be able to drive several thousand nails in a typical workday.

**Fasteners:** 16 gauge, F-16 Series, Chisel Point

**Magazine Capacity:** 2 nail strips, or 100 fasteners

**Battery :** 6 volts DC - Provides enough energy to drive approximately 4000 fasteners on a full charge.

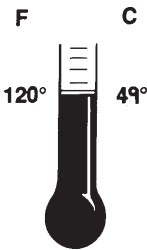

**Fuel Cell:** Liquid hydrocarbon - Provides enough fuel to drive approximately 2500 fasteners.







# Safety Instructions



The following safety instructions have been included in this booklet to provide you with basic information necessary for safe operation of the Paslode Cordless Finish nailer. **DO NOT ATTEMPT TO OPERATE THIS TOOL UNTIL YOU HAVE READ AND UNDERSTAND ALL SAFETY PRECAUTIONS AND MANUAL INSTRUCTIONS.**

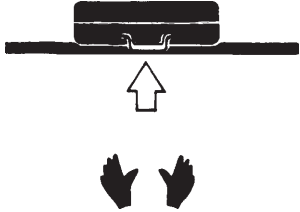

In addition to these instructions, training may be necessary. Contact your Paslode representative for additional information.

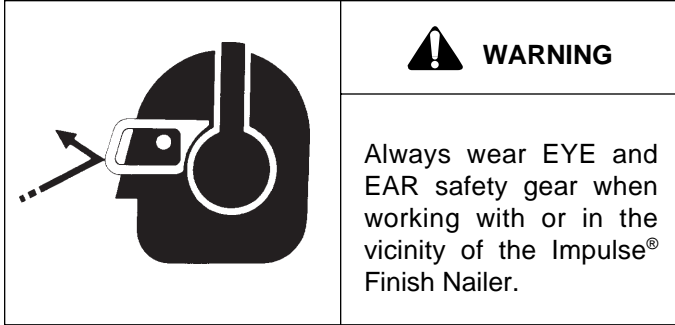
	 <b>WARNING</b>
	Do not expose the tool to temperatures in excess of 120° F (49° C). Fuel and/or the battery may burst, releasing flammable gas.

	 <b>DANGER</b>
	The Cordless Finish nailer is an internal combustion device. It produces hot exhaust gases that may ignite flammable materials. This tool must not be used in a combustible environment or in the presence of combustible materials, such as flammable chemicals, adhesives, gasoline, or solvents.

	 <b>WARNING</b>
	This tool must be operated <b>only in a well-ventilated environment</b> , because the tool exhausts carbon monoxide similar to a gas chainsaw or lawnmower. Exposure to carbon monoxide may cause dizziness, nausea, or unconsciousness.

	 <b>WARNING</b>
	Do not attempt to operate this tool until you have read and understood all safety precautions and manual instructions.  Failure to follow all safety precautions and instructions may result in a permanent loss of vision, serious personal or even fatal injury, property damage and/or tool damage.

	 <b>WARNING</b>
	<b>ALWAYS</b> keep the Paslode Cordless Finish nailer, fuel cell, battery and battery charger out of the reach of children.



1. Eye protection must meet the requirements of ANSI Standard Z87.1 and should have side shields for increased protection.

2. NEVER ASSUME THE TOOL IS EMPTY.

Never point the tool at yourself or anyone else.

3. NEVER ENGAGE IN "HORSEPLAY" WITH THE TOOL.

The Paslode Cordless Finish nailer is not a toy – it is a tool. Careless and improper use may result in a serious accident.

4. NEVER CARRY THE TOOL WITH YOUR FINGER ON, OR SQUEEZING, THE TRIGGER.

This practice may result in the accidental discharge of a fastener.

5. NEVER OPERATE A MALFUNCTIONING TOOL.

Refer to the servicing or troubleshooting section of this manual to correct the problem. If the problem cannot be corrected, stop using the tool and report it to your supervisor or Paslode® representative.

6. DO NOT LOAD FASTENERS WITH THE TRIGGER AND/OR WORK CONTACTING ELEMENT PRESSED IN.

A fastener may be accidentally discharged.

7. NEVER REMOVE OR DISABLE THE WORK CONTACTING ELEMENT.

This device helps reduce the possibility of accidental fastener discharge by preventing the tool from operating until it is completely against the work surface.

NEVER operate the tool if the work contacting element is not working properly.

8. ALWAYS POINT THE TOOL AWAY FROM YOURSELF AND OTHERS WHEN CLEARING JAMS OR REMOVING FASTENERS.

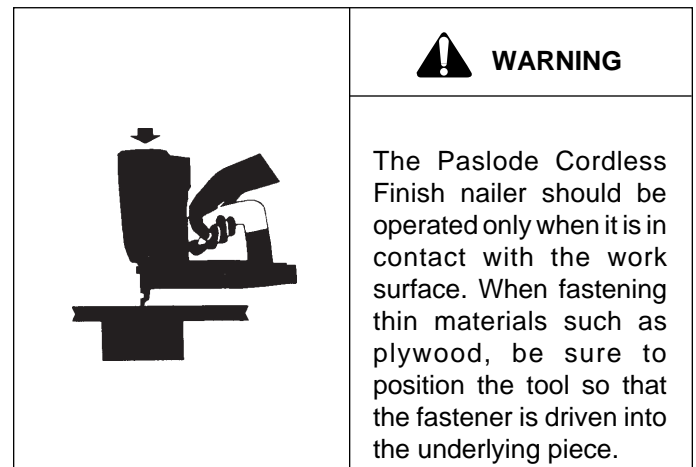
Pull the follower slightly back and push the release lever. Tip the tool nose up slightly and fasteners should slide out of the rear of the magazine. If fasteners are jammed, refer to the appropriate servicing section of this manual.

9. NEVER OPERATE THE CORDLESS FINISH NAILER IF PARTS ARE LOOSE, DAMAGED OR MISSING.

10. DO NOT DRIVE FASTENERS INTO KNOTS OR ON TOP OF OTHER FASTENERS.

A fastener may ricochet and cause serious injury.

11. OPERATE THE TOOL ONLY ON THE WORKPIECE.





# Safety Instructions

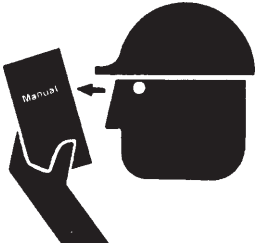

12. NEVER DRIVE FASTENERS INTO AREAS WITH CONCEALED HAZARDS.

Always check the area behind the work surface for electrical wiring, gas pipes, water pipes, sewer drains or other potential hazards.

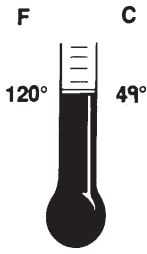

13. ALWAYS MAINTAIN SECURE AND UNOBSTRUCTED FOOTING WHEN ON LADDERS, PLATFORMS OR OTHER HIGH LOCATIONS.

	 <b>WARNING</b>
	<p>Never over-reach, since tool recoil may cause a loss of balance. Always be aware of edges and drop-offs when nailing on rooftops and other high locations. Keep them in full view.</p>

14. ALLOW ONLY QUALIFIED PERSONNEL TO OPERATE THE PASLODE CORDLESS FINISH NAILER.

	 <b>WARNING</b>
	<p>Only persons who have read and fully understand all tool operation, safety and maintenance instructions should be allowed to operate the tool.</p>

15. PROPERLY STORE FUEL CELL.

	 <b>WARNING</b>
	<p>Always store fuel cells where they will not be exposed to an open flame, sparks or temperatures above 120° F (49° C).</p>



16. ALWAYS STORE THE TOOL WITH THE FUEL CELL AND BATTERY REMOVED.

Store the fuel cell in the case with the Paslode Cordless Finish nailer.

17. KEEP THE TOOL CLEAN.

A clean tool is less likely to jam or malfunction.

18. KEEP YOUR HANDS CLEAR OF THE WORK AREA SURFACE.

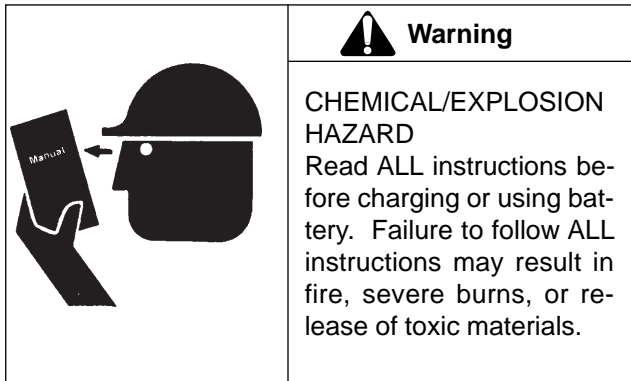
	 <b>WARNING</b>
	<p>A fastener may exit at an angle unexpectedly and cause injury.</p>

# Battery and Charging System

## Battery and Charging System

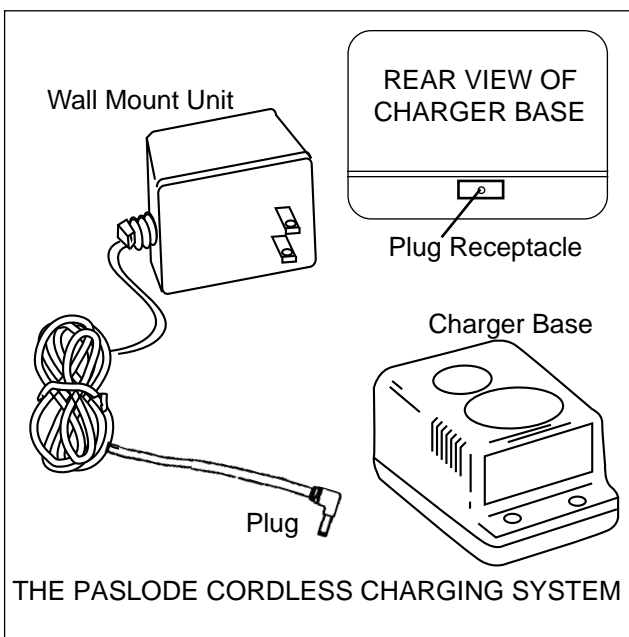
The Cordless tool comes with a rechargeable battery and its own charging system. This battery and charging system combination is the only one that will work with the Paslode Cordless tool. The first step in preparing a new tool for operation is to fully charge the battery. **New batteries are shipped discharged and must be charged prior to first use.** Batteries will take 5 minutes to 2 hours (time will be dependant on the amount of discharge within the battery) to recharge.

## Important Charging Notes



### Battery Disposal:

The Impulse battery contains cadmium and must be recycled or disposed of properly. It is illegal in some areas to place a nickel-cadmium battery into the trash or solid waste stream.



## Charging Instructions

1. Remove wall mount unit with the orange label from the tool case and plug into a 120V AC outlet. Set orange charger on a stable surface and insert wall mount unit's plug into plug receptacle on the back of the charger (see picture). A green light indicates power is on and charger circuit is ready.
2. Remove the battery from tool or case and insert terminals down into charger. The red light will come on indicating that the battery is charging and the green light will go out.

### NOTE

If battery is completely discharged, the red and green lights may flash back and forth for up to 20 minutes. This safety feature slowly recharges the battery until it is ready to accept the full charging current. If the red and green light continue to flash after 20 minutes, replace the battery.

3. After charging, the red light will go out and the green light will come on, indicating that the battery is fully charged. The charger will keep the battery at full charge until it is removed.
4. Unplug the wall mount unit from the charger and remove the wall mount unit from the 120V AC outlet.

## CHARGING TIMES:

<b>First charge</b>	<b>2 hours</b>
Discharged Battery	5 minutes to 2 hours

## CHARGING DON'TS:

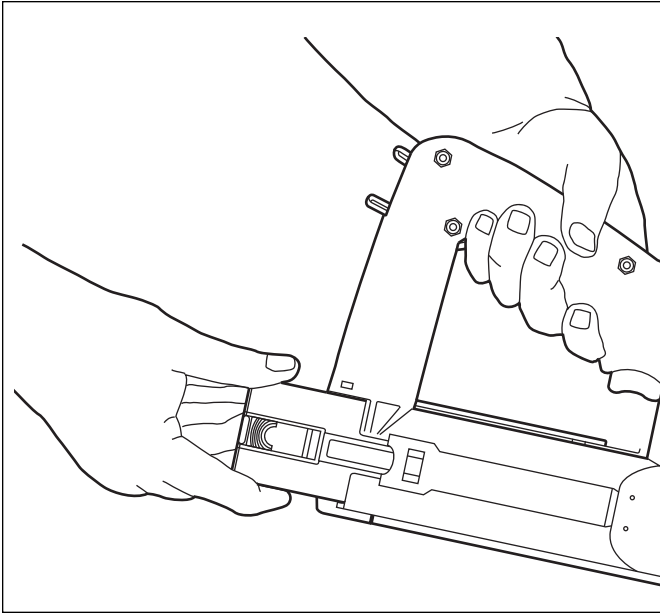
1. Do not charge battery outdoors or in temperatures below 40°F (5°C).
2. Do not allow metal objects to come in contact with battery terminals.
3. Do not puncture or attempt to open battery case or cells.
4. Do not store battery where it will be subjected to temperatures above 120°F (49°C).
5. Do not incinerate battery.
6. Do not use a defective battery charger, one that over-heats and/or smokes when plugged in.
7. Do not immerse the battery in water.

## Charging System Accessories:

Battery Charger Kit - Part No. 900200  
Wall Mount Transformer\* - Part No. 900477  
Battery Charger Base\* - Part No. 900476  
Automotive Adapter\* - Part No. 900507

\* Cannot use with previous (gray in color) charging system components.

# Battery and Charging System

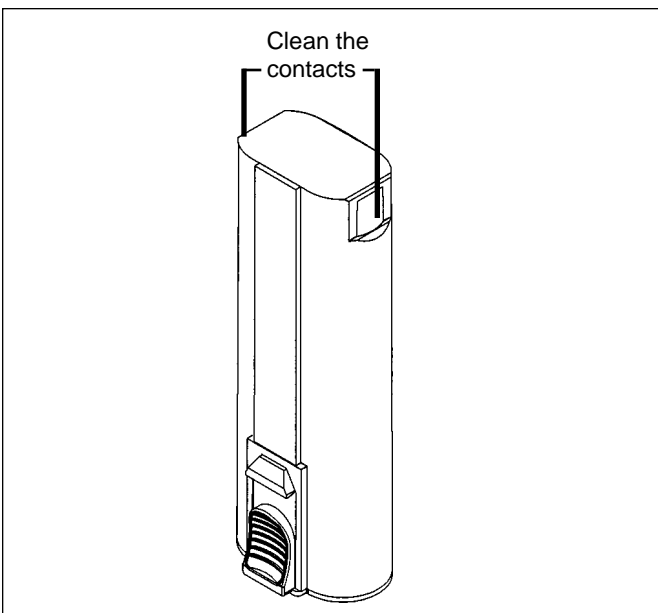


## Inserting Battery

1. Load the battery, contacts first, into the Paslode Cordless Finish nailer.
2. Push battery fully forward into its locked position.
3. To remove battery, push down on locking tab and slide battery out.

**NOTE:** If battery is left in tool for an extended period, the battery will discharge completely and will require recharging.

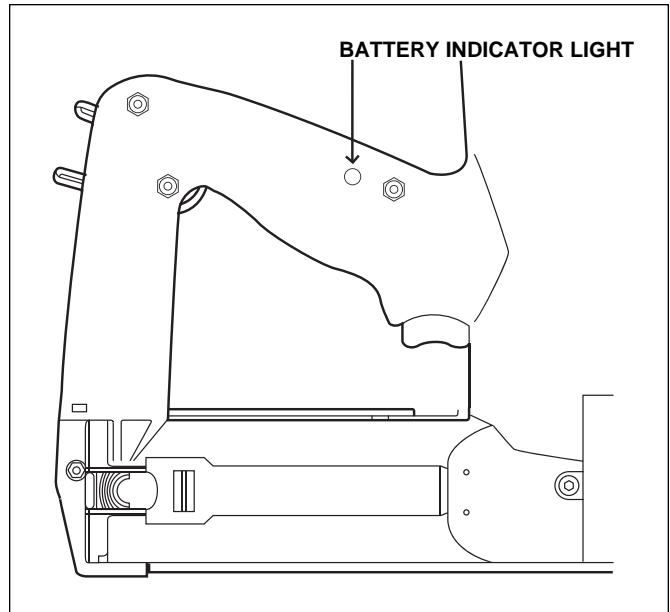
**IMPORTANT:** Should your battery terminals become corroded and cause poor electrical contact, clean the terminals using a soft cloth.



## Battery Indicator Light

The illustration is a close-up of the side of the Paslode Cordless Finish nailer handle. On the back side of the handle is a small plastic lens. This is the battery indicator light.

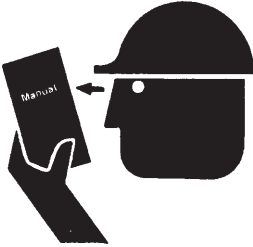

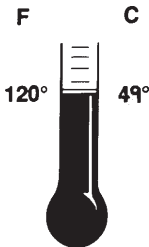
When you insert a fully-charged battery into the tool, you will see a blinking green light. If the indicator light blinks red, recharge the battery.





# Fuel Cell and Metering Valve

## Fuel Cell

  	<p><b>! DANGER</b></p> <p><b>EXPLOSION/FIRE HAZARD</b></p> <p>Read ALL safety instructions before using or handling the fuel cell. Failure to follow ALL instructions may result in explosion or fire. This may cause severe personal injuries or property damage.</p> <p>Keep the fuel cell away from heat, sparks and open flame.</p> <p>Exposure to temperatures above 120°F (49°C) may cause the fuel cell to burst, releasing flammable gas.</p>
--	---

<p><b>! WARNING</b></p> <p>Sunlight can raise the inside temperature of an unventilated car or van to above 140°F (60°C).</p> <p>Do not puncture or attempt to open the fuel cell; it is non-refillable.</p> <p>Do not incinerate, reclaim or recycle the fuel cell.</p> <p>Do not smoke while installing or operating the metering valve.</p> <p>Do not inhale the spray.</p> <p>Keep out of the reach of children.</p> <p>Store fuel cell(s) in well-ventilated areas only.</p>
---

There is a second container inside the fuel cell. The inner container holds the fuel. The space between the inner container and the outer cylinder is filled with a gas, called the propellant, which is under pressure.

To eject the fuel, propellant pressure squeezes the inner fuel container, much as you squeeze a tube of toothpaste. This squeezing action ensures that all the fuel is used, and that the Paslode Cordless Finish nailer can operate in any position.

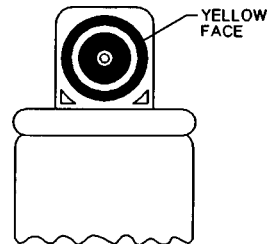
Because of this container-within-a-container design, you might hear the sound of fluid when shaking the fuel cell after all the fuel has been used. This is the propellant, which remains between the containers even after all the fuel has been expelled.

If you expose the empty fuel cell to extreme temperatures, the propellant gas will expand and could cause the container to burst, releasing flammable gases.

## Metering Valve

The metering valve contains a fuel metering system to inject the correct amount of fuel into the combustion chamber.

The **yellow** metering valve is the only valve that will operate properly with the Paslode Cordless Finish nailer.



<p><b>NOTE</b></p> <ol style="list-style-type: none"><li>1. Do not attempt to reuse the metering valve! Replace with fresh fuel cell/valve, and dispose of spent cell/valve properly.</li><li>2. When replacing fuel cell also clean or replace the air filter for optimum tool operation.</li></ol>
--

<p><b>NOTE: Altitude Restriction</b></p> <p>Paslode Cordless tools are powered by a internal combustion engine and are effected by altitude. The tool may lose power or not cycle consistantly at elevations of 4000 feet or greater. When using the tool at elevations above 4000 feet it is recommended to use the <b>blue</b> high altitude fuel metering valve part #219247.</p>
--

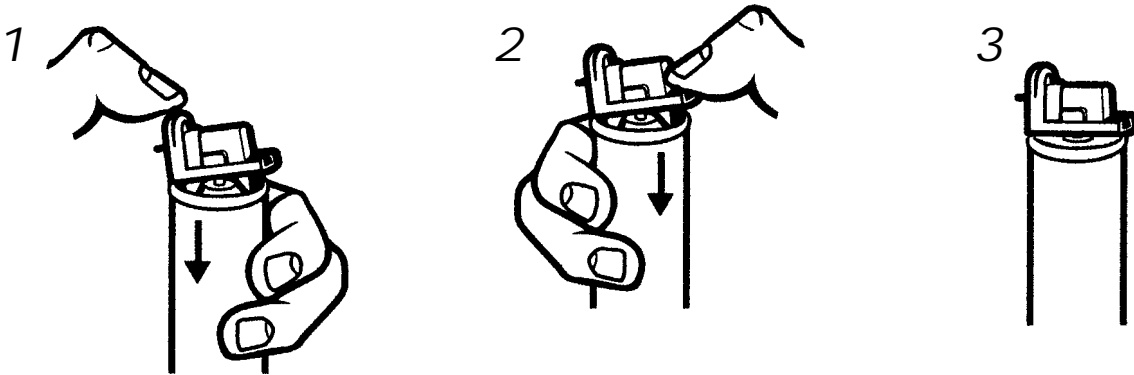
# Fuel Cell and Metering Valve

---

## Attaching Metering Valve to Fuel Cell

To attach the metering valve to a fuel cell:

1. Press downward on the front side of the valve (stem side) until it seats.
2. Press downward on the rear side of the valve until it seats.
3. The valve is now completely seated onto the fuel can and can be inserted into the tool.



**NOTE:** Impulse fuel cell are marked with an expiration date on the bottom of the can. For maximum performance use fuel before expiration date.

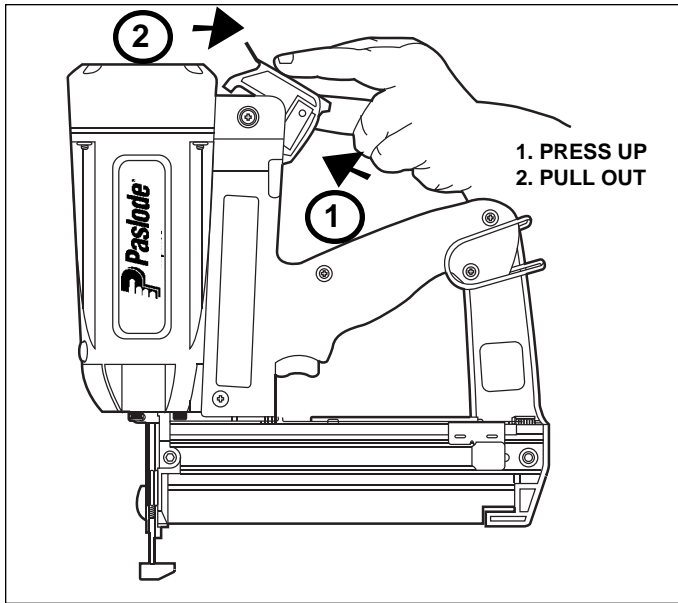
 **DANGER**

Impulse Fuel is flammable.  
Do not smoke when installing the metering valve!

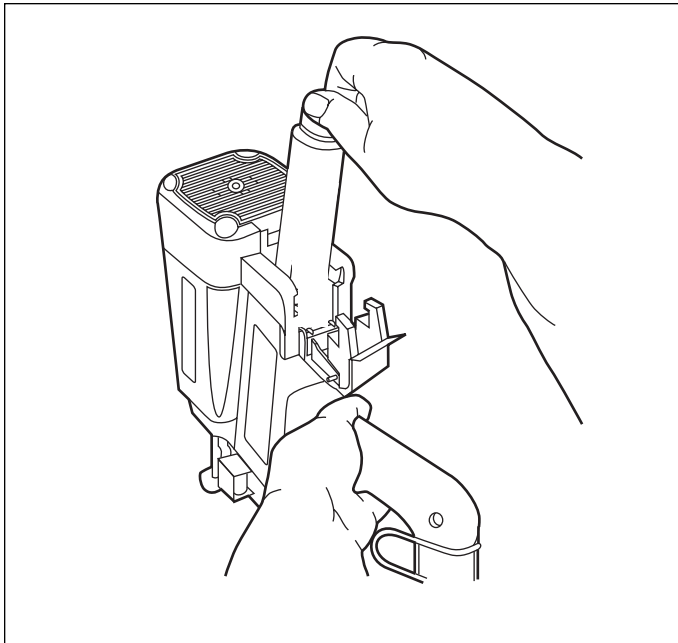
# Fuel Cell and Metering Valve

## Inserting Fuel Cell

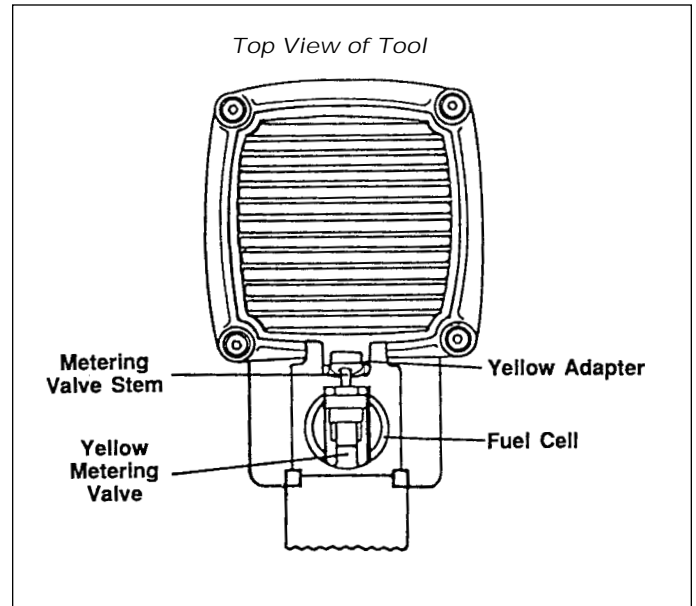
Inserting the metering valve/fuel cell assembly into the Paslode Cordless Finish nailer is very simple. To begin, press up at the bottom of the actuator cover and pivot outward to open. The cover will swing out of the way.



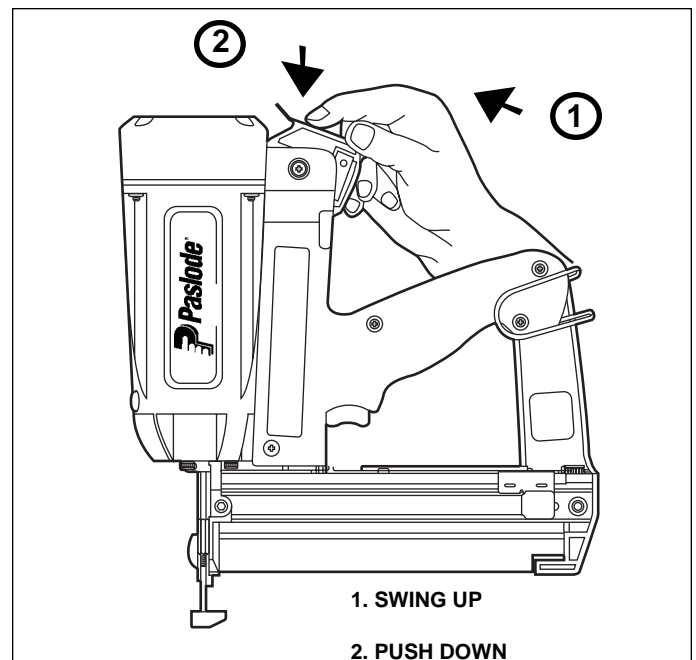
Next, with the metering valve stem pointed toward the front of the tool, insert the metering valve/fuel cell assembly.



As you slide the metering valve/fuel cell assembly into the Cordless Finish nailer, you will notice a **yellow** adapter at the top of the cylinder pocket. As shown in the illustration, this adapter is designed to ensure that the metering valve stem is properly aligned with the small hole, or orifice, that leads to the combustion chamber. Insert the metering valve stem into the orifice of the **yellow**-colored adapter.



Close the actuator cover to complete the loading of fuel in the Paslode Cordless Finish nailer. Do this by swinging it up and over the fuel valve/cylinder assembly, and pushing down until the actuator cover snaps into position.



# Preparing the Paslode Cordless Finish Nailer for Use

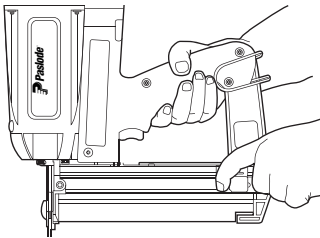
## Fasteners

The Cordless Finish nailer drives Paslode® F-16 Series fasteners which have been collated into strips. The use of fasteners that do not meet Paslode standards could cause tool damage and will void all warranty claims.

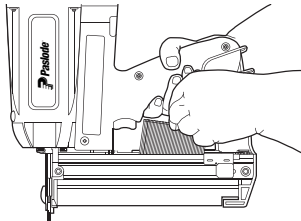
## Loading Fasteners

The illustrations below show how to properly load fasteners into the Paslode Cordless Finish nailer. To load:

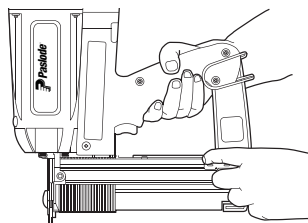
1. Draw back the follower until it latches with the rail cover.



2. Insert one or two strips of Paslode finish nails between the wear strips. Let them fall forward to the nail guide.



3. Locate the follower behind the finish nails. Apply pressure to the rail cover so that the follower is released. The constant force spring will locate the follower behind the finish nails and apply a constant pressure on them.



Dirt and debris may interfere with proper feeding of fasteners. Keep the fastener track clean.

### NOTE: Altitude Restriction

Paslode Cordless tools are powered by a internal combustion engine and are effected by altitude. The tool may lose power or not cycle consistantly at elevations of 4000 feet or greater. When using the tool at elevations above 4000 feet it is recommended to use the **blue** high altitude fuel metering valve part #219247.

## Paslode Cordless Tools and Outdoor Weather

Use the Cordless Finish nailer outdoors, in clear weather, when the nailer, fuel cell, and battery are between 20°F (-7°C) and 120°F (49°C).

### HOT WEATHER OPERATION

The Paslode Cordless Finish nailer requires cooling of the motor assembly to operate properly. The fan normally provides the necessary air flow to permit continuous operation. Whenever the Paslode Cordless Finish nailer is idle for extended periods, keep the fuel and tool out of direct sunlight and in surroundings where temperatures will not exceed 120°F (49°C). After extended periods of continuous use, it may be necessary to cool the Impulse motor by setting tool aside for 10-15 minutes or until the tool operates normally. An overheated tool may not drive nails completely or may operate erratically.

### COLD WEATHER OPERATION

Fuel cells at cold temperatures lose the required propellant force. Bring the tool, battery, and fuel cell above minimum operating temperature without direct exposure to flame, and check the battery.

### CAUTION

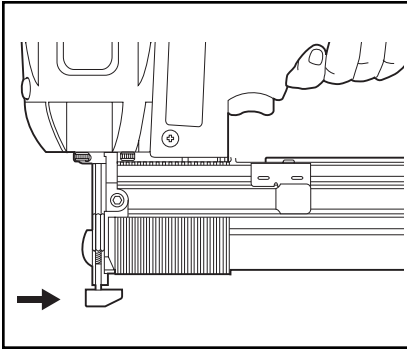
The Paslode Cordless Finish nailer should not be used in the rain or where excessive moisture is present. The use of the Impulse Finish nailer under these conditions may result in damage to tool components and cause tool to malfunction

## Paslode Cordless Tools and Indoor Operation

### CAUTION

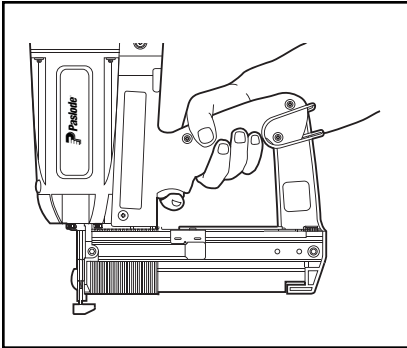
This tool must be operated in a well ventilated environment, because the tool exhausts carbon monoxide similar to a chainsaw or lawn mower. Exposure to carbon monoxide may cause dizziness, nausea or unconsciousness.

# Impulse® Finish Nailer Operation

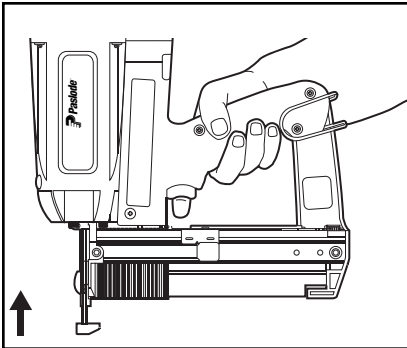


PRESS WORK – CONTACTING ELEMENT AGAINST THE WORK SURFACE.

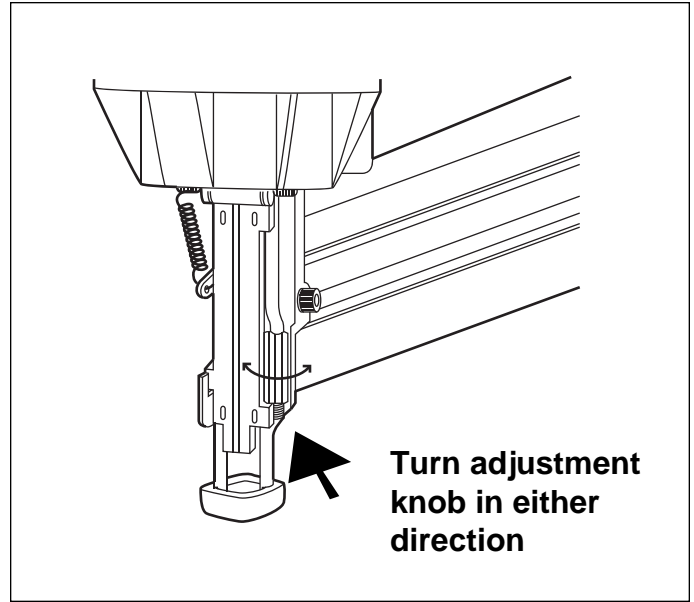
Fan motor starts, fuel is injected into combustion chamber and mixed with air by the fan.



SQUEEZE TRIGGER  
Spark plug sparks and fuel/air mixture ignites. Combustion powers piston assembly driving fastener.



LIFT TOOL - RELEASE TRIGGER  
Combustion chamber opens. Fan exhausts hot gases and cools internal components.



## Depth of Drive Adjustment

Remove the battery before adjusting the depth of drive.

The depth of drive adjustment is made by turning the adjustment knob on the work contacting element.

Adjust the work contacting element to get the nail head depth to meet job requirements.



## DANGER

The work contacting element and nose will become hot after prolonged or rapid use. If it becomes necessary to adjust the work contacting element, avoid touching with bare hands.

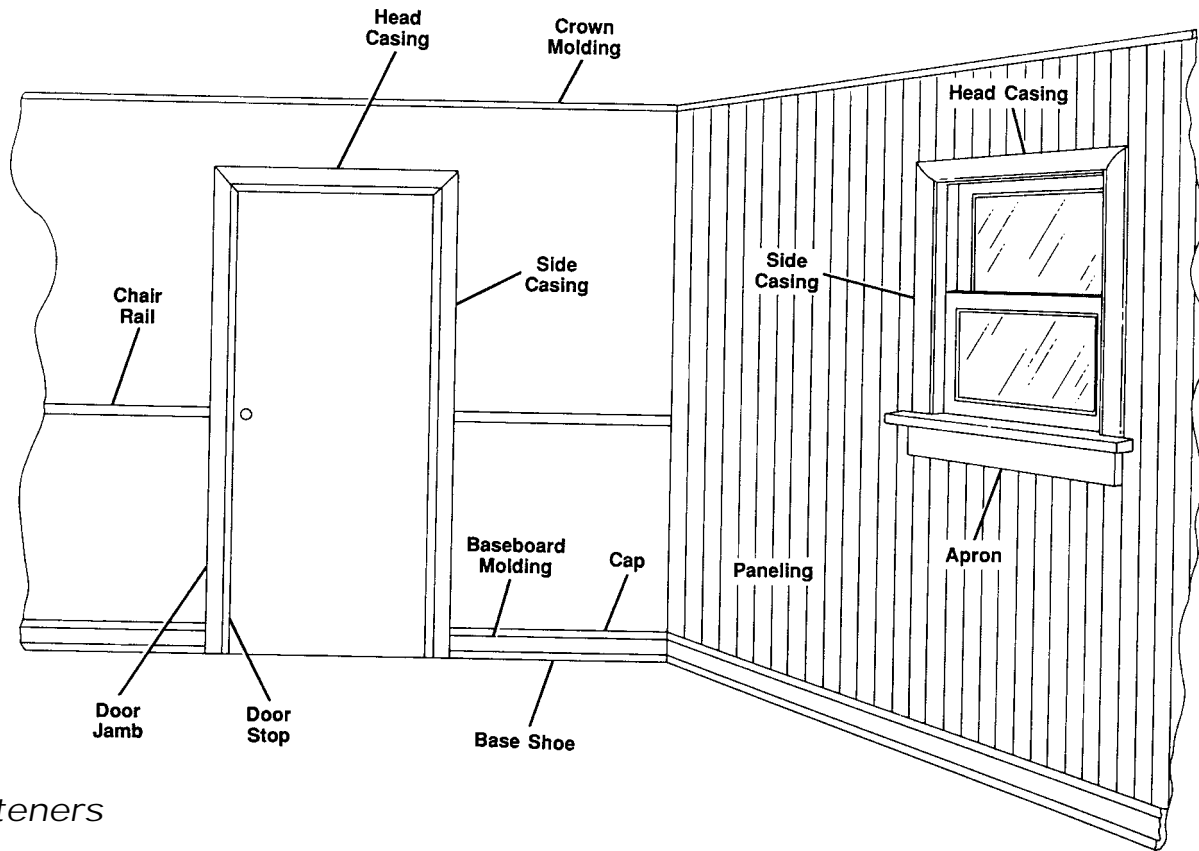
## NOTE

The nailer will "blank fire" or cycle even if the magazine is empty of nails. Blank firing will create driver blade marks on the workpiece, and excessive impact on the bumper which may result in premature failure of the bumper. Therefore, load the Paslode Cordless Finish Nailer when required and only cycle it when nails are in place.

# Fasteners and Applications

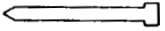

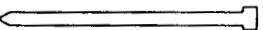
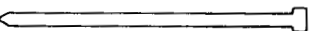
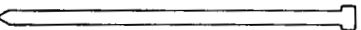
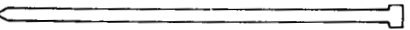
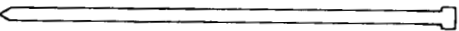
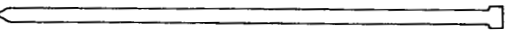
## Applications

The Paslode Cordless Finish nailer is suited for a variety of applications. Some of these are securing trim to door and window casings; attaching baseboards where walls meet floors; attaching moldings where walls meet ceilings; securing paneling; securing chair rails, picture molding and other decorative trim.



## Fasteners

The Paslode Cordless Finish nailer drives Paslode F-16 Series nails. They are made from 16-gauge galvanized wire and are entirely coated with Pas-Kote for improving holding power. Fasteners are collated into strips of 50 for easy loading.

THE CORDLESS FINISH NAILER DRIVES THESE NAILS	PART NO.	SIZE	TYPE
	095201	F16 3/4"	Panel, Bead Molding*
	095203	F16 1"	Panel, Cap/Shoe Molding*
	095205	F16 1-1/4"	Cap/Shoe Molding*
	095257	F16 1-1/2"	Baseboard, Crown, Chair
	095435	F16 1-3/4"	Baseboard, Crown, Chair
	095436	F16 2"	Baseboard, Casings, Crown
	400601	F16 2-1/4"	Casings
	090025	F16 2-1/2"	Casings

## Restrict Field Service to the Following

- CHECKING THE ENERGY LEVEL OF THE BATTERY
- RECHARGING THE BATTERY
- CHECKING THE FUEL CELL AND METERING VALVE
- REPLACING THE FUEL CELL
- CLEANING THE AIR FILTER
- CLEARING A JAM
- CLEANING THE TOOL (See cleaning manual)

Attempts to go beyond these procedures could result in serious personal injury or damage to the Paslode Cordless Finish nailer and voiding the warranty.

There are certain problems you may encounter when you are using the Cordless Finish nailer that you will be able to correct on the work site. The following field service procedures are the only service procedures you should attempt. Anything else that may appear wrong with the Cordless Finish nailer should only be diagnosed and repaired by a fully trained service technician. If you have any reason to believe that your problem is beyond the service procedures in this manual, contact your Paslode® representative immediately.



### DANGER

Never attempt any maintenance of the Paslode Cordless Finish nailer without first removing the fuel cell and battery. Maintenance should be started only after the tool is **completely** inoperative.

## Battery Check

Periodically check on the battery indicator light - the light in the handle of the Paslode Cordless Finish nailer. When encountering a problem, the first step should always be to make sure the battery has enough energy to operate the tool.

When the work contacting element is depressed on work piece, the fan motor will turn on and the blinking green indicator light will turn solid green. If the indicator light blinks red or glows red, recharge the battery.

## Fuel Cell Check

If the Paslode Cordless Finish nailer's fan operates and the indicator light is green, but the tool will not cycle or does not drive fasteners completely, check the fuel cell. With the fuel cell out of the tool, check to see if the cell still contains fuel and that the metering valve is working. To determine if there is any fuel left in the fuel cell, hold in the upright position and simply place the metering stem against a solid object, and gently push about three or four times. A small amount of fuel should be released each time.



### DANGER

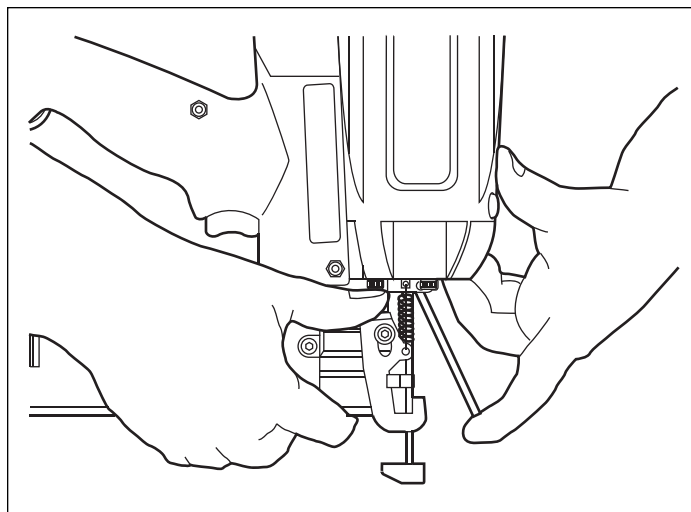
Never perform this test near an open flame or sparks, while smoking, or where the fuel may get into your eyes.

If fuel is not released with each operating of the metering valve, this indicates that there is no more fuel left in the cylinder and it must be replaced. Dispose of the empty fuel cell properly.

## Clearing a Jam

A typical problem you may encounter is having a jammed fastener. Because of the unique design of the Cordless Finish Nailers, clearing a jammed fastener is easy:

1. Remove the battery.
2. Pull follower back until it latches with rail cover.
3. Push latch, releasing front guide. Pivot front guide forward.
4. Clear jam, and push driver blade back up to its normal position.
5. Close front guide and latch it. Check that work contacting element is free.
6. Release follower.



# Servicing

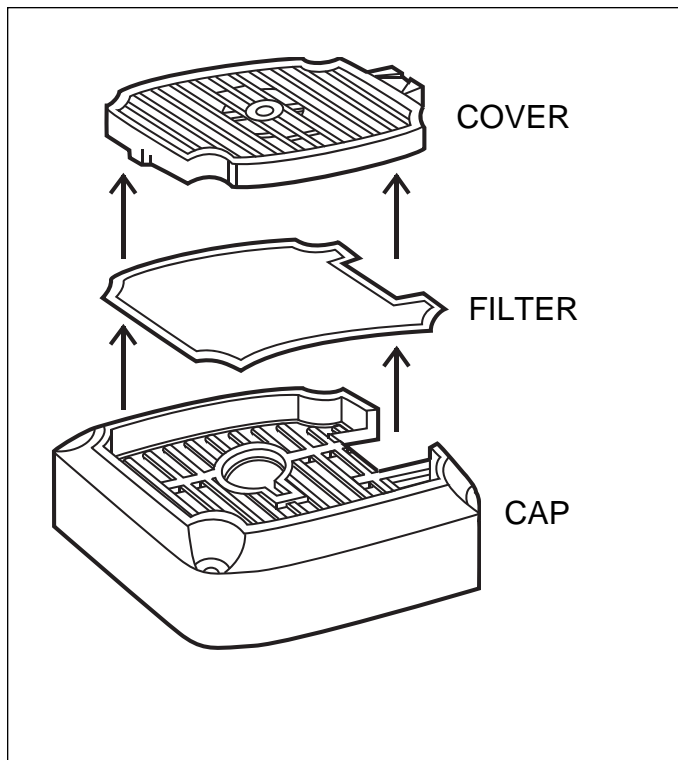
## Clearing a Jam (continued)

Make certain magazine mounting screws are tight and magazine is tight to nose. Attempting to fire tool with a loose magazine will result in loss of nail control, damage to tool, or nail discharge toward operator.

## Air Filter

Open the cover by pressing slightly above the adapter, and pivoting the cover open. The air filter simply lifts out.

Tap the filter GENTLY to remove any dust. Check and clean the air filter every two days. Soap and water restores the filter to a "like new" condition.



## End-of-Workday Routine

At the end of each workday, conduct an end-of-workday routine. These simple steps are based on maintaining the safety and operational efficiency of the Paslode Cordless Finish nailer.

Before you leave the work site:

1. Remove battery and store in tool case. Always use the Paslode Cordless Finish nailer case for transporting and storing the tool.
2. Dispose of all empty fuel cells. Remember to dispose of these cells where they will not be found by children, crushed, punctured, or burned.

When you get home:

1. Place the battery in its charger if it needs charging as indicated by the red charge light on the handle.
2. Wipe your Impulse Finish nailer with a clean, soft cloth.
3. Remove and clean the filter every two days.
4. Check work contacting element to ensure it is operating freely.

## Accessories

A variety of accessories are available for the Paslode Cordless Finish Nailer:

**No-Mar Replacement Tip - Part No. 900352**

**Battery - Part No. 404717**

Extra battery allows use of one battery while spare battery is being charged.

**Tinted Safety Glasses - Part No. 402512:**

Cuts glare while affording eye protection.

**Clear Safety Glasses - Part No. 402510**

**Impulse® Oil - Part No. 401482**

**Battery Charger Kit - Part No. 900200**

**Paslode Cordless Finish Nailer Case - Part No. 900362**

**Back Plate Insert - Part No. 900382**

Contact your Paslode® representative for additional information.

## Tools

A 5/32 Hex Socket Wrench (Part No. 401331) is provided with each Impulse Finish nailer.



## Preparing Tool for Operation - Battery/Charger Problems

SYMPTOM	POSSIBLE PROBLEMS	SERVICE
Battery does not appear to accept charge when charger is plugged into battery, or battery is plugged into the charger.	Inoperative indicator lights on charger, or defective charger.	Try battery in tool after a full charge cycle. If tools indicator light is green, charger not working properly. Replace charger, or monitor charging time to ensure battery has adequate time for recharging. It is normal for battery to feel warm after properly charging.
	Battery damaged or cycle life exhausted.	Replace battery.
Charger gets hot, makes excessively loud noise, or smokes during charging cycle. Charger cord or wall plug gets hot.	Damaged charger.	Discontinue use immediately and unplug from power source. Replace charger and tag or dispose of charger to prevent accidental re-use or connection to power source.

## Normal Stage of Operation

SYMPTOM	POSSIBLE PROBLEMS	SERVICE
Fan does not run - tool indicator light is blinking red or solid red.	Battery is not charged.	Charge battery.
	Battery terminals are oily, dirty, or corroded.	Clean battery terminals with soft cloth.
Fan does not run, or runs slower than normal - tool indicator light is solid red.	Battery is discharged.	Charge battery.

## Pre-Combustion/Combustion Stage of Operation

SYMPTOM	POSSIBLE PROBLEMS	SERVICE
Work-contacting element does not depress fully - tool does not operate.	Work-contacting element is bent, or build-up of debris in track restricts operation.	Remove and inspect lower probe. Clean the track. Repair or replace lower probe as required.
Tool will not cycle - fan runs, indicator light is solid green.	Fuel Cell empty.	Replace fuel cell.
	Spark wire out of spark plug.	Remove cap and check spark lead, insert in spark plug and replace cover.
	Spark plug is dirty.	Clean tool cylinder head.
	No spark is generated.	Return tool to authorized Paslode® dealer for service.

# Troubleshooting

## Power/Exhaust Stage of Operation

SYMPTOM	POSSIBLE PROBLEMS	SERVICE
Tool operates properly, but fasteners do not drive fully.	Work-contacting element requires adjustment.	Adjust work contacting element.
	Fuel cell is low.	Check fuel cell and replace as required.
	There may be loss of seal in combustion chamber.	Press work contacting element against workpiece for one minute. Pull trigger. If fastener does not drive, there is a leak that requires service.
Tool operates properly, but fasteners are sometimes over-driven, and sometimes under-driven.	Work-contacting element is not adjusted properly for the type of material being fastened.	Adjust work-contacting element. Readjust as required when material density or thickness of material being fastened changes.
Tool operates, but no fastener is driven.	Wrong fasteners being used.	Use only fasteners meeting Paslode® specifications. Check Fasteners and Applications section for fastener types and sizes recommended for use in Cordless tool.
	Follower not properly engaged behind fastener strip.	Position follower behind fastener strip and engage strip.
	Jammed fastener.	Clear jam.
Tool operates erratically or appears to be losing power - tool indicator light is green.	Fuel cell is low.	Check fuel cell.
	Spark plug wire is loose.	Check spark plug wire.
	Filter element is dirty, causing tool to overheat.	Remove filter element and clean. Use soap and water to remove stubborn debris.
	Tool sleeve or O-rings are dirty.	Clean tool.

## Returning/Purging Stage of Operation

SYMPTOM	POSSIBLE PROBLEMS	SERVICE
Tool operated and drove fasteners, but driver blade did not return to up position.	Built-up dirt and debris on driver blade or in nose bore.	Clean driver blade and nose bore with degreaser cleaner.
	Mid check is dirty or disabled.	Return tool to authorized Paslode® Impulse dealer for service.
	Tool (sleeve) or O-rings are dirty.	Clean tool.
Combustion chamber does not drop after tool cycles.	Work-contacting element is bent, or is dirty.	Clean track or replace work-contacting element.

DESCRIPTION	PART NO.
IM-250F	900400

### PASLODE MODEL NUMBER DESIGNATION

The model number of each Paslode tool contains information about the tool and the fasteners that are used with it. The following example illustrates the information contained in this tool model number.

