

Float Disc Installation (Optional)

Float discs, or *pans*, attach to the trowel blades and allow the trowel to 'float' on wet concrete. The disc design facilitates early floating and easy movement from wet to dry areas. Float discs are also very effective at embedding large aggregates and surface hardeners.

Refer to Figure 25 when installing float discs.

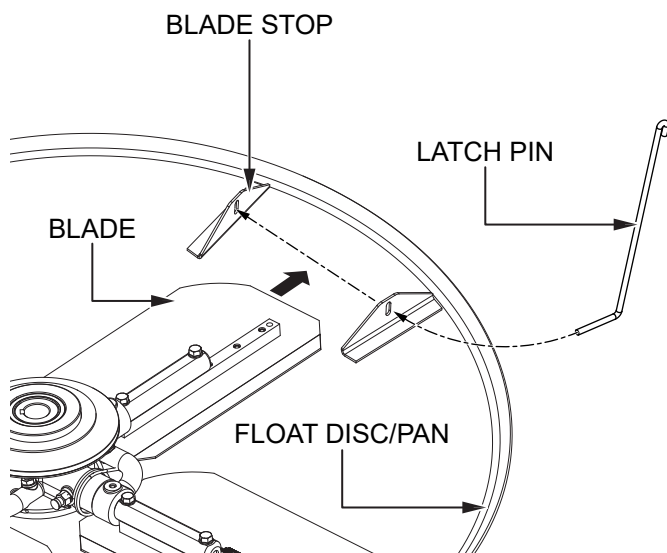


Figure 25. Float Disc Installation

1. Lift the trowel just enough to slide the pan under the blades. Lower the trowel onto the pan with the blades between the blade stops.
2. Fit the blades between the blade stops. Be sure to rotate the blades in the same direction as when the machine is in operation, or use the engine to rotate the blades into position.
3. Route the latch pins through the blade stop holes.
4. Make sure the blade edges are secured between the blade stops, and the latch pins are secured completely over the blades.